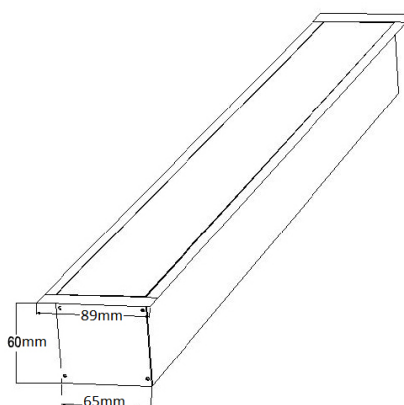


## ALBINO

### AREAS OF APPLICATION

- Foyers
- Meeting Halls
- Aisles
- Schools
- Shops
- Offices

<b>Lenght</b>	89x60x65 mm
<b>Width</b>	296 mm
<b>Height</b>	80 mm



ELECTRICAL DATA

Nominal wattage	28 - 55 W
Operating mode	Electronic control gear (ECG)
Nominal voltage	220...240 V
Mains frequency	50/60 Hz
Power factor $\lambda$	>0.90

COLORS & MATERIALS

Body material	Aluminum extrusion
Housing color	Electrostatic powder paint

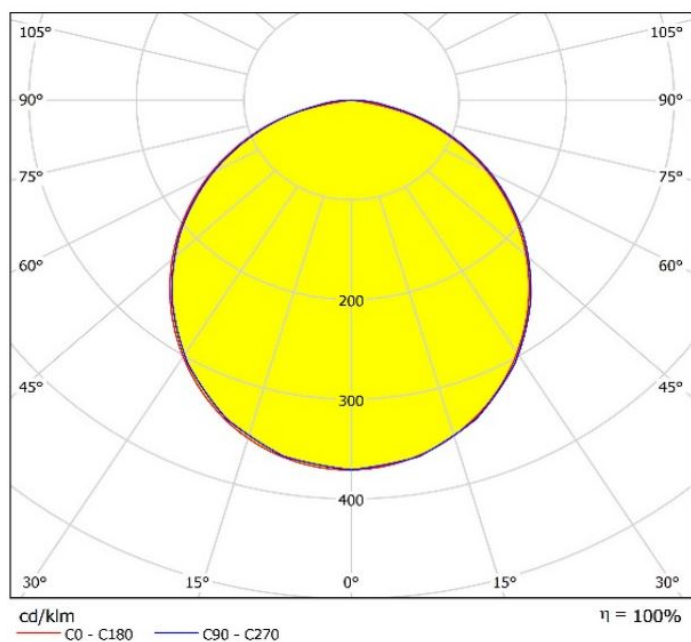
PHOTOMETRICAL DATA

Color temperature	2700 K - 6500 K
Luminous flux*	>2520 - 4950 lm
Color rendering index Ra	>80
Luminous efficiency***	90 lm/w

LIGHT TECHNICAL DATA

Beam angle	Wide Distribution
------------	-------------------

LIGHT DISTRIBUTION



- Luminous flux calculated according to BRANDED LED chips.
- Based on 6500K Values.
- Luminous flux calculated to light source.
- Luminous flux depends to lens or diffuser.

## COLORS &amp; MATERIALS

Product color	Electrostatic Powder Paint
Cover material	Opal

## TEMPERATURES &amp; OPERATING CONDITIONS

Ambient temperature range	-20...50 °C
---------------------------	-------------

## ADDITIONAL PRODUCT DATA

Mounting type	Recessed
Mounting location	Ceiling

## OPTIONS

Dimmable**	On Off / 1-10V / DALI
Type of connection	Cable
LED module replaceable	Yes

## CERTIFICATES &amp; STANDARDS

Protection class	I
Type of protection	IP54
Standards	TS EN 60598-1 / IEC 60598-1

## LOGISTICAL DATA

Product code	Product description	Packaging unit (Pieces/Unit)	Dimensions (length x width x height)	Volume
ALB36XX44WH	Albino	Shipping carton box 1		

The mentioned product code describes the smallest quantity unit which can be ordered. One shipping unit can contain one or more single products. When placing an order, for the quantity please enter single or multiples of a shipping unit.

## DISCLAIMER

Subject to change without notice. Errors and omission excepted. Always make sure to use the most recent release.

- Product color can be ordered with other RAL codes.
- On Off dimmable is standard, 1-10V and DALI are an option.